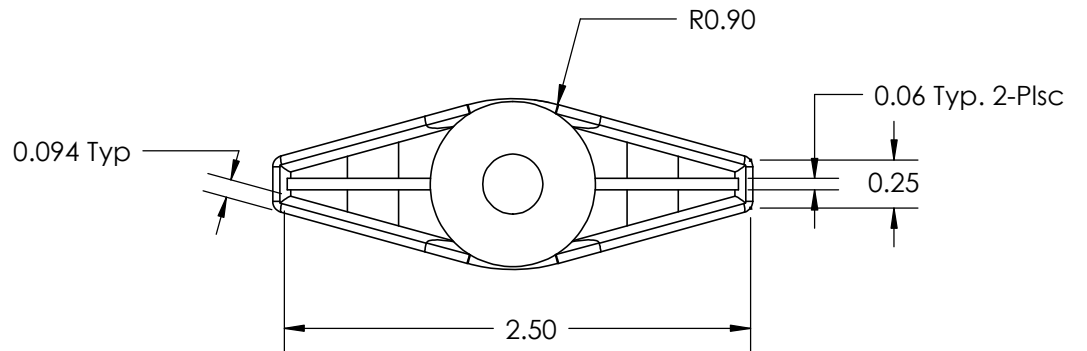
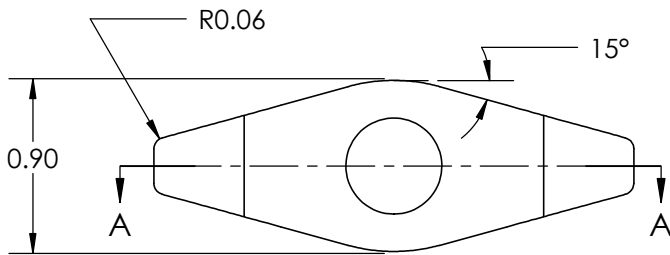
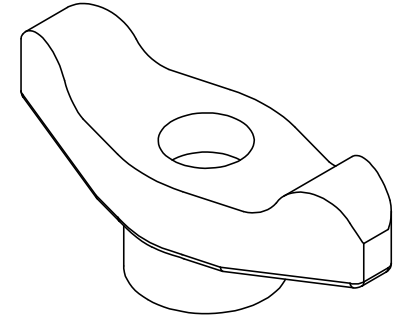


SECTION A-A



REV	BY	DATE	COMMENT	DIMENSIONS ARE IN INCHES TOLERANCES FRACTIONAL ± TWO PLACE DECIMAL ± 0.03 THREE PLACE DECIMAL ± 0.010 UNLESS OTHERWISE NOTED	DRAWN	COR		
0	COR	01/21/10	RELEASE DATE		APPROVED	LQR		PART NAME
					DATE	01/21/2010	<p>Round Top Hole</p>	
					COMMENTS			
<p><b>PROPRIETARY AND CONFIDENTIAL</b></p> <p>THE INFORMATION CONTAINED IN THIS DRAWING IS THE SOLE PROPERTY OF INNOVATIVE COMPONENTS. ANY REPRODUCTION IN PART OR AS A WHOLE WITHOUT THE WRITTEN PERMISSION OF INNOVATIVE COMPONENTS IS PROHIBITED.</p>				KNOB MATERIAL Polypropylene, Nat	KNOB FINISH Textured	INSERT MATERIAL	PART NUMBER <b>TW7 MASTER</b>	DRAWING NUMBER <b>TW7</b>
				INSERT PART NUMBER	INSERT FINISH	SCALE 1:1	SHEET 1 OF 1	