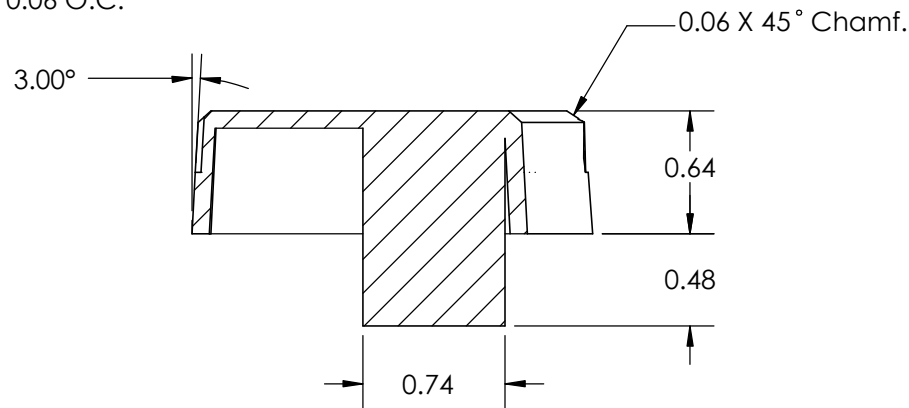



DETAIL B



SECTION A-A

REV	BY	DATE	COMMENT	DRAWN	MXO	 <b>INNOVATIVE COMPONENTS</b>		
0	MXO	10/27/07	RELEASE DATE	APPROVED	LQR		PART NAME	
				DATE	1/7/2008	COMMENTS MIN. TORQUE N/A in.-lbs.		
				DIMENSIONS ARE IN INCHES TOLERANCES FRACTIONAL ± TWO PLACE DECIMAL ± 0.03 THREE PLACE DECIMAL ± 0.010 UNLESS OTHERWISE NOTED				
<b>PROPRIETARY AND CONFIDENTIAL</b> THE INFORMATION CONTAINED IN THIS DRAWING IS THE SOLE PROPERTY OF INNOVATIVE COMPONENTS. ANY REPRODUCTION IN PART OR AS A WHOLE WITHOUT THE WRITTEN PERMISSION OF INNOVATIVE COMPONENTS IS PROHIBITED.				KNOB MATERIAL		PART NUMBER <b>RT7 MASTER</b>		
				KNOB FINISH			INSERT MATERIAL	DRAWING NUMBER <b>RT7</b>
				INSERT PART NUMBER			INSERT FINISH	
						SHEET 1 OF 1		