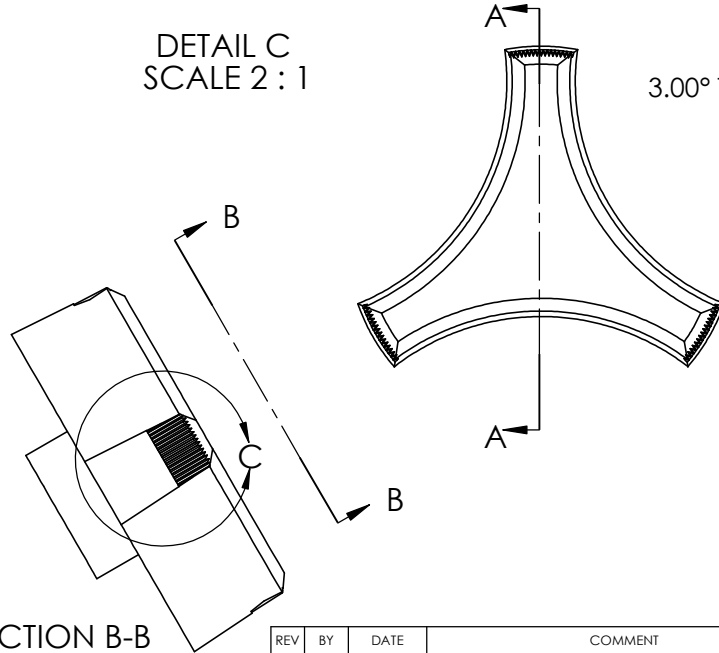
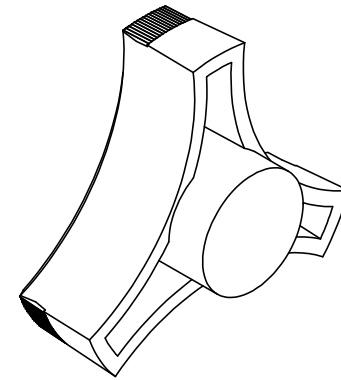
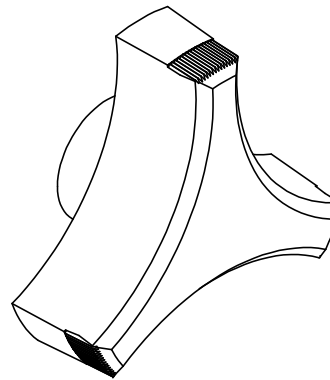
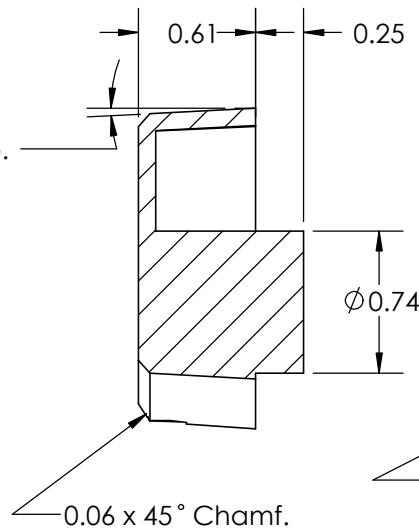


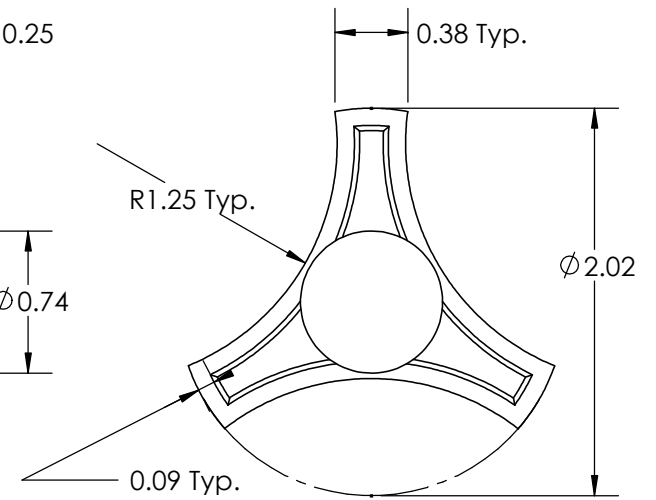
DETAIL C
SCALE 2 : 1



SECTION B-B



SECTION A-A



REV	BY	DATE	COMMENT
0	DHP	03/02/07	RELEASE DATE
1	JSR	1/11/08	CHANGED FORMAT

PROPRIETARY AND CONFIDENTIAL
 THE INFORMATION CONTAINED IN THIS DRAWING IS THE SOLE PROPERTY OF INNOVATIVE COMPONENTS. ANY REPRODUCTION IN PART OR AS A WHOLE WITHOUT THE WRITTEN PERMISSION OF INNOVATIVE COMPONENTS IS PROHIBITED.

DIMENSIONS ARE IN INCHES
 TOLERANCES
 FRACTIONAL ±
 TWO PLACE DECIMAL ± 0.03
 THREE PLACE DECIMAL ± 0.010
 UNLESS OTHERWISE NOTED

KNOB MATERIAL

KNOB FINISH

INSERT PART NUMBER

DRAWN DHP
 APPROVED LQR
 DATE 01/15/2008
 COMMENTS
 MIN. TORQUE N/A in.-lbs.

INSERT MATERIAL

INSERT FINISH

INNOVATIVE COMPONENTS

PART NAME

PART NUMBER **RT5C MASTER** DRAWING NUMBER **RT5**

SCALE 1:1 SHEET 1 OF 1