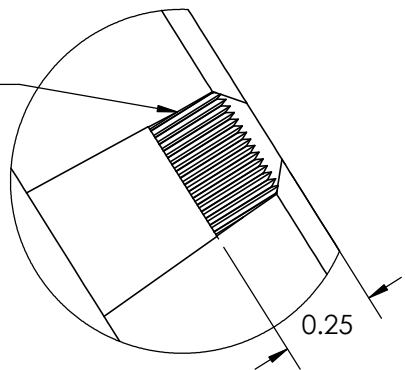
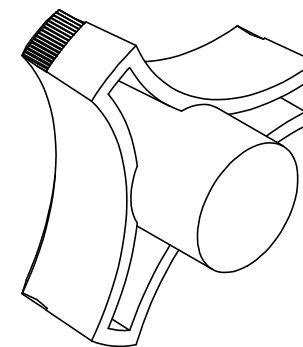
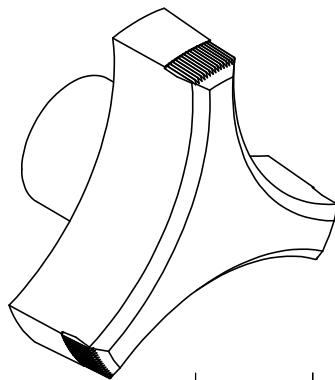


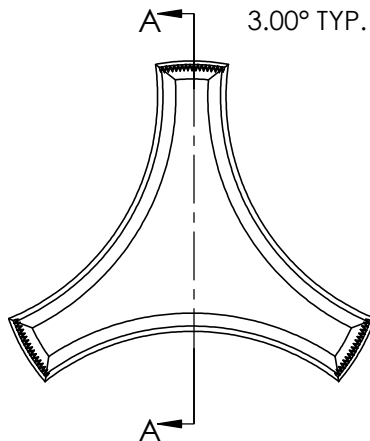
0.02 x 0.02  
grooves  
spaced  
0.04 O.C.



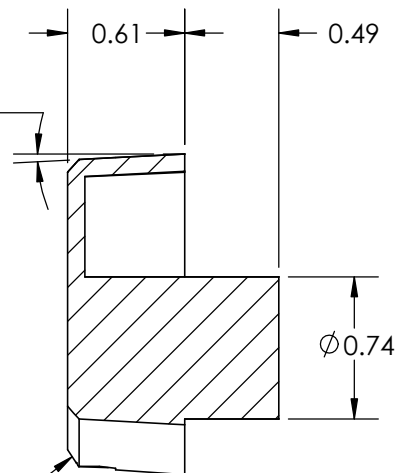
DETAIL C  
SCALE 2 : 1



B

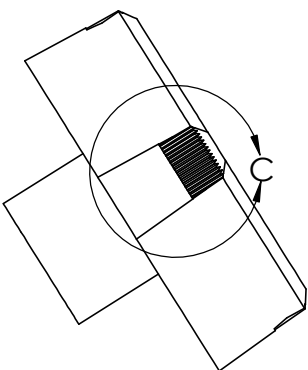
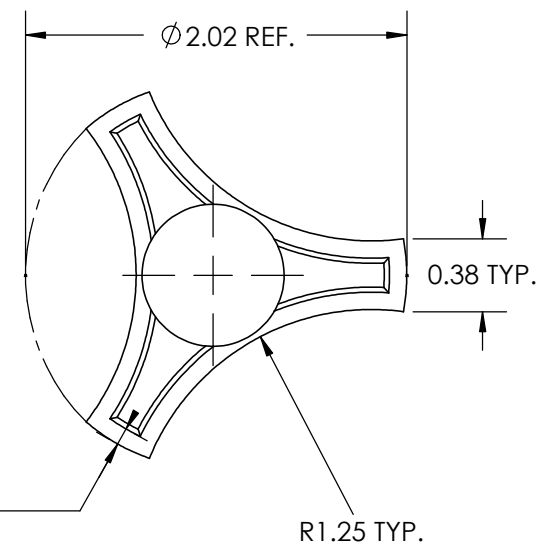


3.00° TYP.



0.06 X 45° Chamf.

SECTION A-A



SECTION B-B

REV	BY	DATE	COMMENT
0	JSR	1/11/08	RELEASE DATE

**PROPRIETARY AND CONFIDENTIAL**  
THE INFORMATION CONTAINED IN THIS DRAWING IS THE SOLE PROPERTY OF INNOVATIVE COMPONENTS. ANY REPRODUCTION IN PART OR AS A WHOLE WITHOUT THE WRITTEN PERMISSION OF INNOVATIVE COMPONENTS IS PROHIBITED.

DIMENSIONS ARE IN INCHES  
TOLERANCES  
FRACTIONAL ±  
TWO PLACE DECIMAL ± 0.03  
THREE PLACE DECIMAL ± 0.010  
UNLESS OTHERWISE NOTED

KNOB MATERIAL

KNOB FINISH

INSERT PART NUMBER

DRAWN JSR  
APPROVED LQR  
DATE 1/15/2008  
COMMENTS  
MIN. TORQUE N/A in.-lbs.

INSERT MATERIAL

INSERT FINISH

**INNOVATIVE COMPONENTS**

PART NAME

PART NUMBER

SCALE 1:1

DRAWING NUMBER

SHEET 1 OF 1