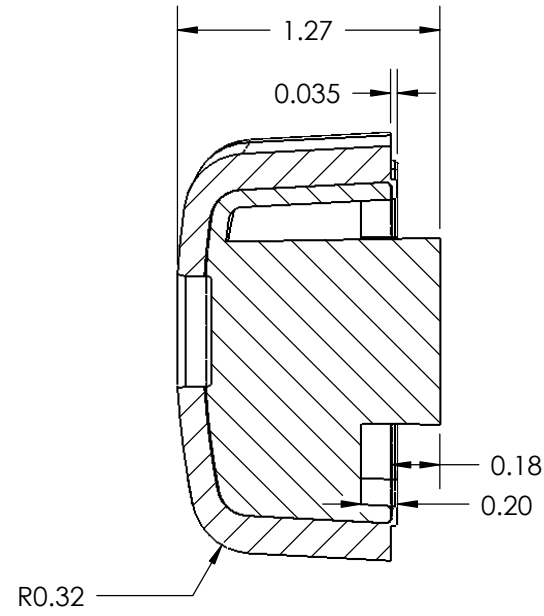
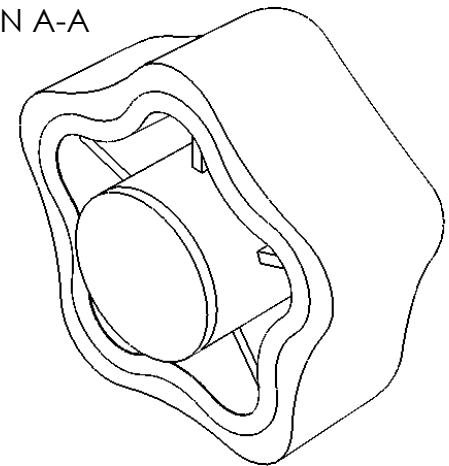
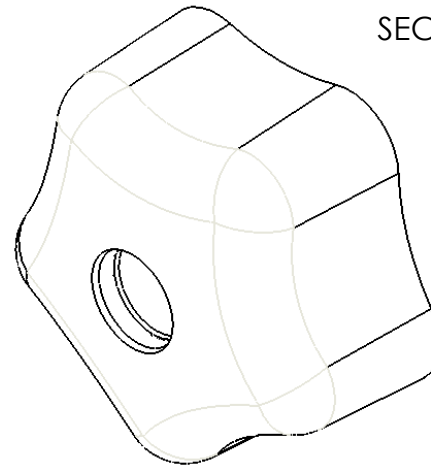
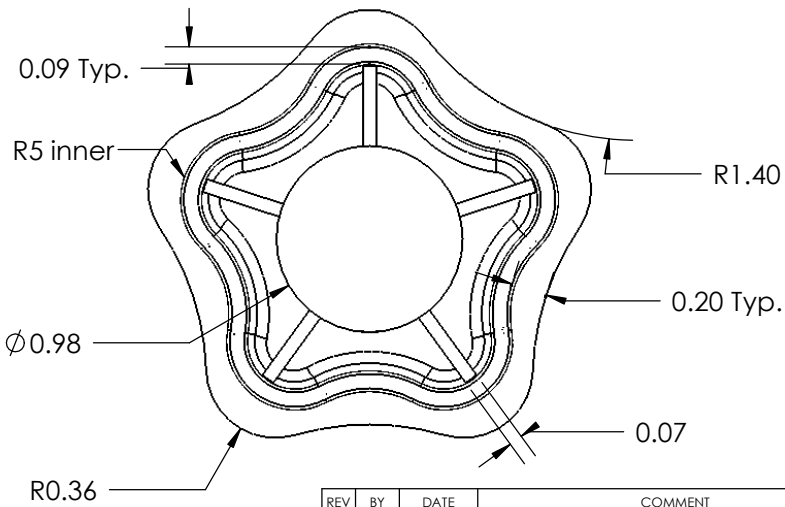


$\phi 0.60 \times 0.04$ Deep
30° chamfer



SECTION A-A



REV	BY	DATE	COMMENT	DIMENSIONS ARE IN INCHES TOLERANCES FRACTIONAL \pm TWO PLACE DECIMAL ± 0.03 THREE PLACE DECIMAL ± 0.010 UNLESS OTHERWISE NOTED	DRAWN	JSR	INNOVATIVE COMPONENTS PART NAME	
0	JSR	12/20/07	RELEASE DATE		APPROVED			
					DATE			
					COMMENTS			
						MIN. TORQUE N/A in.-lbs.		
PROPRIETARY AND CONFIDENTIAL THE INFORMATION CONTAINED IN THIS DRAWING IS THE SOLE PROPERTY OF INNOVATIVE COMPONENTS. ANY REPRODUCTION IN PART OR AS A WHOLE WITHOUT THE WRITTEN PERMISSION OF INNOVATIVE COMPONENTS IS PROHIBITED.					KNOB MATERIAL			
					KNOB FINISH	INSERT MATERIAL		
					INSERT PART NUMBER	INSERT FINISH		
						PART NUMBER	DRAWING NUMBER	
						R7S MASTER		
						SCALE 1:1	SHEET 1 OF 1	