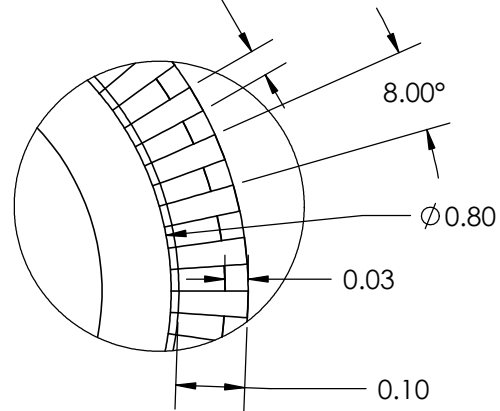
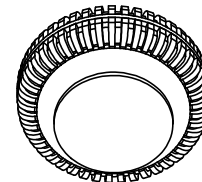
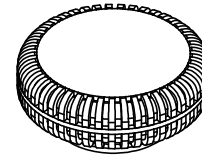
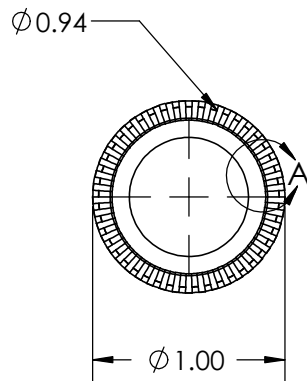


0.035Typ. 45 ribs  
Eq. spaced @ 8°



DETAIL A  
SCALE 4 : 1



REV	BY	DATE	COMMENT	DRAWN	JMR		INNOVATIVE COMPONENTS			
0	JMR	DRAFT	RELEASE DATE	APPROVED			PART NAME			
				DATE		COMMENTS MIN. TORQUE N/A in.-lbs.				
DIMENSIONS ARE IN INCHES TOLERANCES FRACTIONAL ± TWO PLACE DECIMAL ± 0.03 THREE PLACE DECIMAL ± 0.010 UNLESS OTHERWISE NOTED				KNOB MATERIAL						
<b>PROPRIETARY AND CONFIDENTIAL</b> THE INFORMATION CONTAINED IN THIS DRAWING IS THE SOLE PROPERTY OF INNOVATIVE COMPONENTS. ANY REPRODUCTION IN PART OR AS A WHOLE WITHOUT THE WRITTEN PERMISSION OF INNOVATIVE COMPONENTS IS PROHIBITED.				KNOB FINISH		INSERT MATERIAL				
				INSERT PART NUMBER		INSERT FINISH		PART NUMBER <b>K4A MASTER</b>		DRAWING NUMBER <b>K4A</b>
								SCALE 1:1		SHEET 1 OF 1