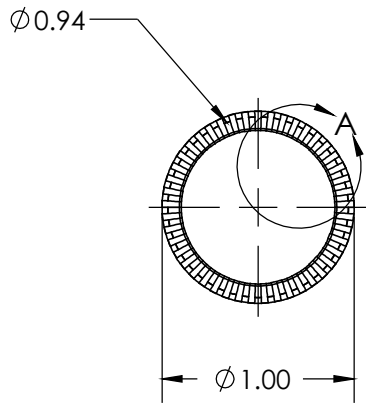
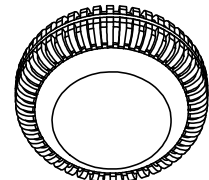
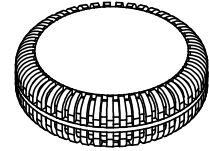
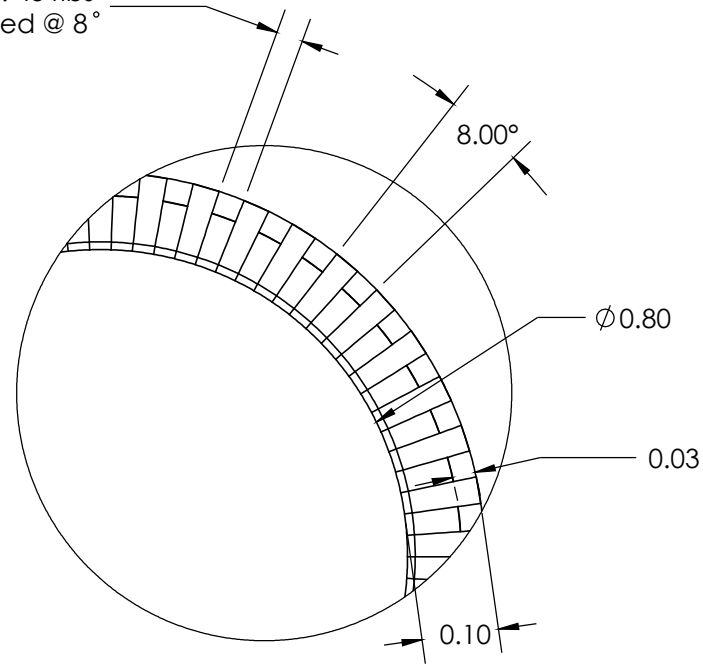



0.035 typ. 45 ribs
eq. spaced @ 8°



DETAIL A
SCALE 4 : 1

REV	BY	DATE	COMMENT	DIMENSIONS ARE IN INCHES TOLERANCES FRACTIONAL ± TWO PLACE DECIMAL ± 0.03 THREE PLACE DECIMAL ± 0.010 UNLESS OTHERWISE NOTED	DRAWN JMR	 INNOVATIVE COMPONENTS	
0	JMR	11/27/07	RELEASE DATE		APPROVED LQR	PART NAME	
					DATE 12/19/07	MIN. TORQUE N/A in.-lbs.	
				KNOB MATERIAL	COMMENTS	PART NUMBER	
PROPRIETARY AND CONFIDENTIAL THE INFORMATION CONTAINED IN THIS DRAWING IS THE SOLE PROPERTY OF INNOVATIVE COMPONENTS. ANY REPRODUCTION IN PART OR AS A WHOLE WITHOUT THE WRITTEN PERMISSION OF INNOVATIVE COMPONENTS IS PROHIBITED.				KNOB FINISH	INSERT MATERIAL	K4 MASTER	
				INSERT PART NUMBER	INSERT FINISH	DRAWING NUMBER	
						K4	
						SCALE 1:1	SHEET 1 OF 1