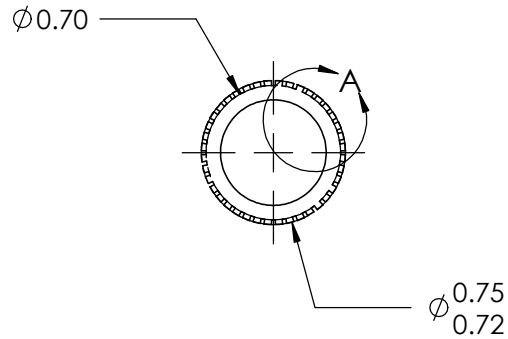
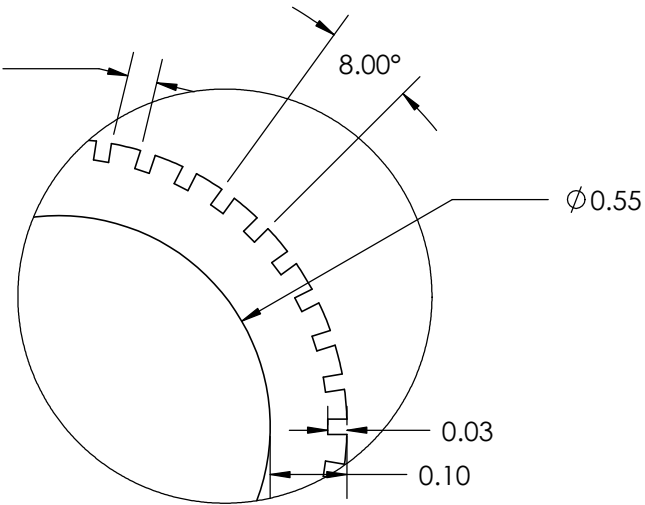
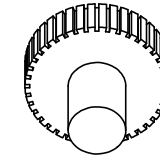


0.035 Typ. 45 ribs  
eq. spaced @ 8°



DETAIL A  
SCALE 4 : 1



REV	BY	DATE	COMMENT	DIMENSIONS ARE IN INCHES TOLERANCES FRACTIONAL ± TWO PLACE DECIMAL ± 0.03 THREE PLACE DECIMAL ± 0.010 UNLESS OTHERWISE NOTED	DRAWN JMR	INNOVATIVE COMPONENTS	
0	JMR	10/27/07	RELEASE DATE		APPROVED LQR	PART NAME	
					DATE 1/4/2008	MIN. TORQUE N/A in.-lbs.	
				KNOB MATERIAL	COMMENTS	PART NUMBER	
<b>PROPRIETARY AND CONFIDENTIAL</b> THE INFORMATION CONTAINED IN THIS DRAWING IS THE SOLE PROPERTY OF INNOVATIVE COMPONENTS. ANY REPRODUCTION IN PART OR AS A WHOLE WITHOUT THE WRITTEN PERMISSION OF INNOVATIVE COMPONENTS IS PROHIBITED.				KNOB FINISH	INSERT MATERIAL	K2C MASTER	
				INSERT PART NUMBER	INSERT FINISH	DRAWING NUMBER	
						K2C	
						SCALE 1:1	SHEET 1 OF 1