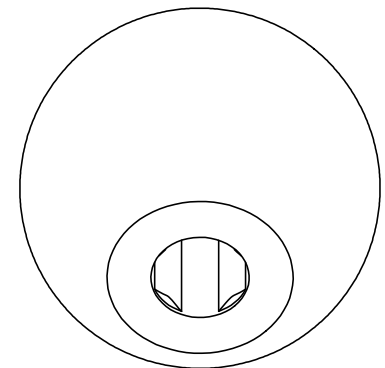
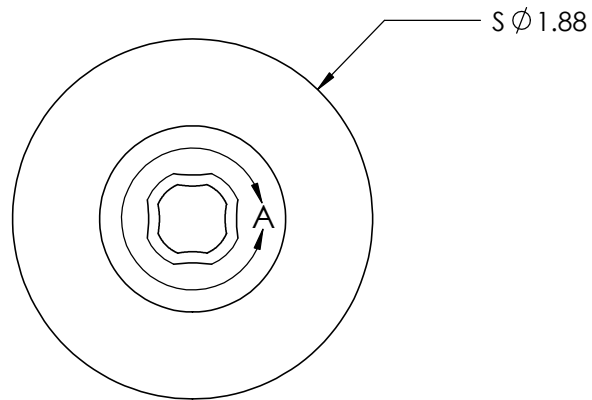
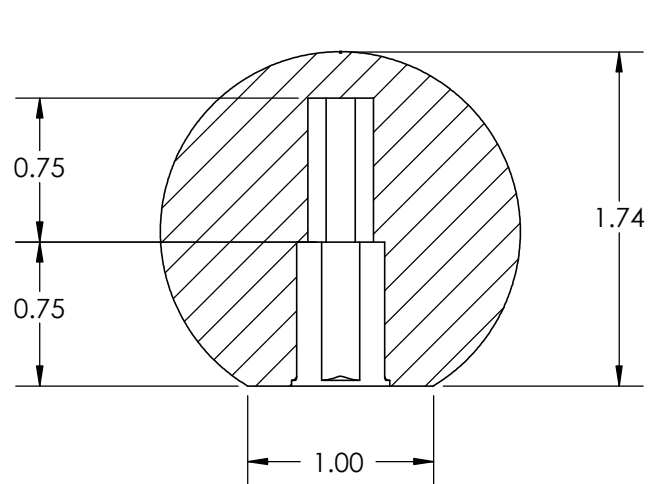


DETAIL A  
SCALE 2 : 1



REV	BY	DATE	COMMENT	DRAWN	LRM		INNOVATIVE COMPONENTS	
0	LRM	08/21/08	RELEASE DATE	APPROVED	LQR		PART NAME	
				DATE	08/21/2008	COMMENTS MIN. TORQUE N/A in.-lbs.		
				DIMENSIONS ARE IN INCHES TOLERANCES FRACTIONAL ± TWO PLACE DECIMAL ± 0.03 THREE PLACE DECIMAL ± 0.010 UNLESS OTHERWISE NOTED			PART NUMBER	DRAWING NUMBER
<b>PROPRIETARY AND CONFIDENTIAL</b> THE INFORMATION CONTAINED IN THIS DRAWING IS THE SOLE PROPERTY OF INNOVATIVE COMPONENTS. ANY REPRODUCTION IN PART OR AS A WHOLE WITHOUT THE WRITTEN PERMISSION OF INNOVATIVE COMPONENTS IS PROHIBITED.				KNOB MATERIAL		PART NUMBER <b>B7U MASTER</b>	DRAWING NUMBER <b>B7</b>	
				KNOB FINISH				INSERT MATERIAL
				INSERT PART NUMBER		INSERT FINISH		SCALE 1:1