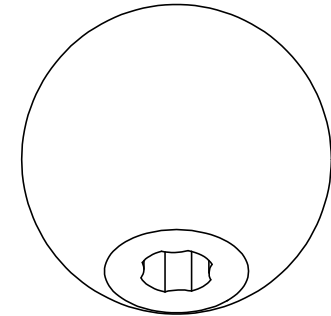
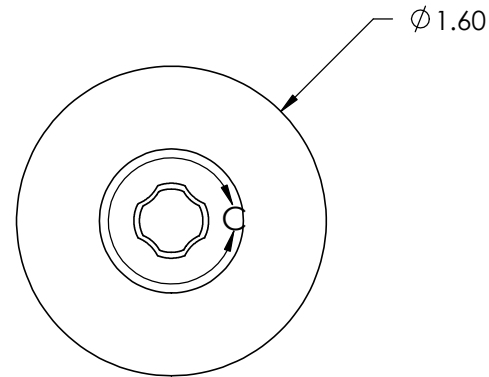
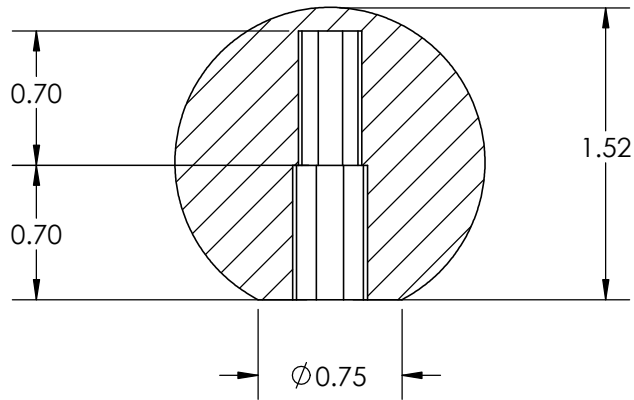


DETAIL C
SCALE 2 : 1



REV	BY	DATE	COMMENT	DRAWN	LRM	INNOVATIVE COMPONENTS	
0	LRM	08/21/08	RELEASE DATE	APPROVED	LQR	PART NAME	
				DATE	08/21/2008	PART NUMBER	
				COMMENTS		DRAWING NUMBER	
				MIN. TORQUE N/A in.-lbs.		B5	
<p>PROPRIETARY AND CONFIDENTIAL</p> <p>THE INFORMATION CONTAINED IN THIS DRAWING IS THE SOLE PROPERTY OF INNOVATIVE COMPONENTS. ANY REPRODUCTION IN PART OR AS A WHOLE WITHOUT THE WRITTEN PERMISSION OF INNOVATIVE COMPONENTS IS PROHIBITED.</p>				KNOB MATERIAL	INSERT MATERIAL	SCALE 1:1	
				KNOB FINISH	INSERT FINISH	SHEET 1 OF 1	
				INSERT PART NUMBER			

DIMENSIONS ARE IN INCHES
TOLERANCES
FRACTIONAL ±
TWO PLACE DECIMAL ± 0.03
THREE PLACE DECIMAL ± 0.010
UNLESS OTHERWISE NOTED