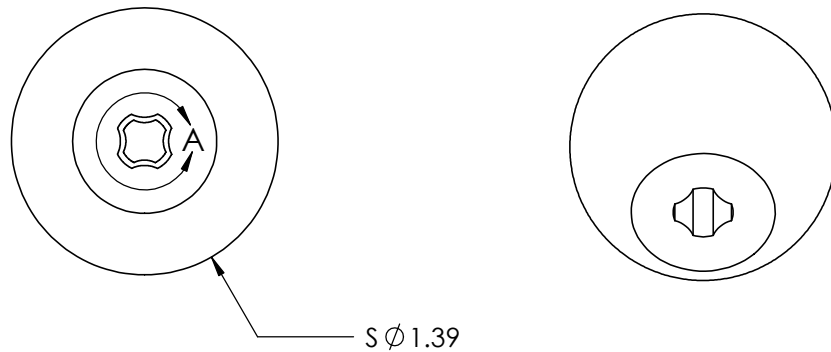
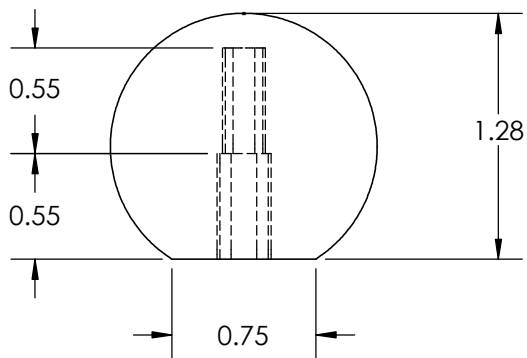


DETAIL A
SCALE 4 : 1



REV	BY	DATE	COMMENT	DRAWN	EAM		INNOVATIVE COMPONENTS		
0	EAM	12/12/07	RELEASE DATE	APPROVED	LQR		PART NAME		
				DATE	12/12/07	COMMENTS MIN. TORQUE N/A in.-lbs.			
				DIMENSIONS ARE IN INCHES TOLERANCES FRACTIONAL ± TWO PLACE DECIMAL ± 0.03 THREE PLACE DECIMAL ± 0.010 UNLESS OTHERWISE NOTED					
PROPRIETARY AND CONFIDENTIAL THE INFORMATION CONTAINED IN THIS DRAWING IS THE SOLE PROPERTY OF INNOVATIVE COMPONENTS. ANY REPRODUCTION IN PART OR AS A WHOLE WITHOUT THE WRITTEN PERMISSION OF INNOVATIVE COMPONENTS IS PROHIBITED.				KNOB MATERIAL					
				KNOB FINISH		INSERT MATERIAL		PART NUMBER	
				INSERT PART NUMBER		INSERT FINISH		DRAWING NUMBER	
						B3U MASTER		B3	
						SCALE 1:1		SHEET 1 OF 1	